



SPECIFICS

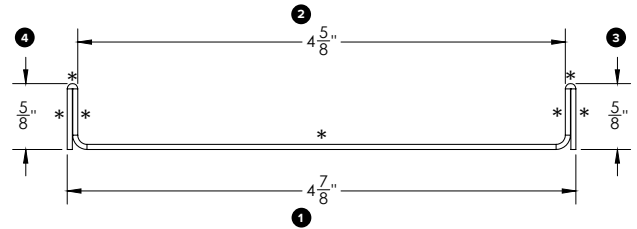
- #4 Satin finish
- 18GA #304 Stainless Steel
- Finish direction parallel with drink rail length

INSTALLATION

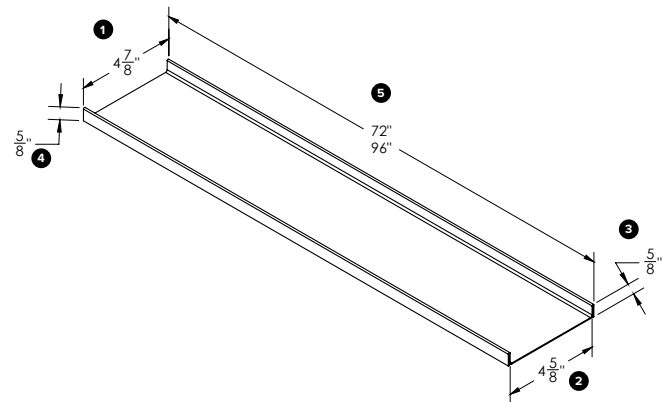
1. Cut drink rail Item #DR-SCU sections to length (if necessary).
2. Apply adhesive to the bar top or counter substrate.
3. Adhere the first section of the drink rail section to the surface.
4. Seal the top of any seams with a mildew resistant clear silicone sealer.

**CUSTOM FINISHING
AVAILABLE BY REQUEST**

SIDE VIEW

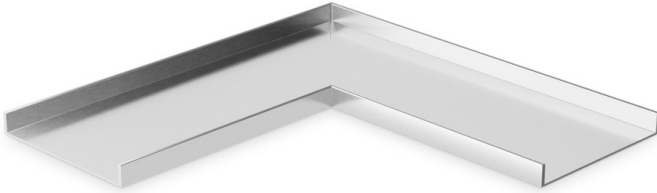


ISOMETRIC VIEW



DIMENSIONS

① OUTSIDE WIDTH	4 7/8"
② INSIDE WIDTH	4 5/8"
③ BACK HEIGHT	5/8"
④ FACE HEIGHT	5/8"
⑤ LENGTH OPTIONS	72/96"



SPECIFICS

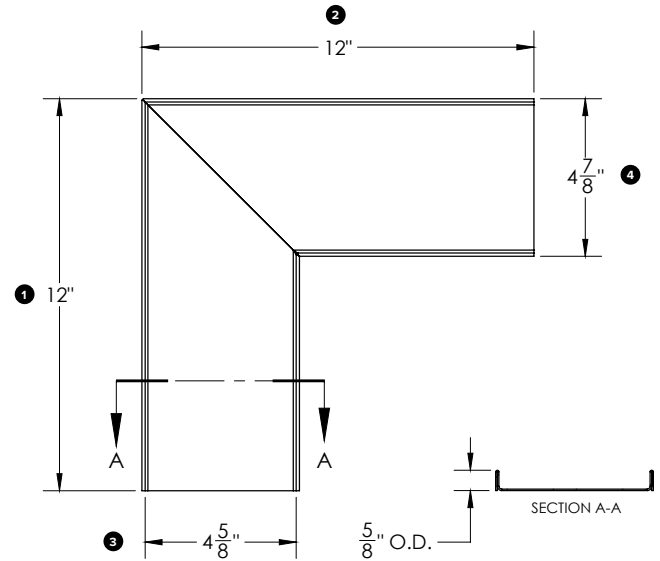
- #4 Satin finish
- 18GA #304 Stainless Steel
- Finish direction parallel with drink rail length

INSTALLATION

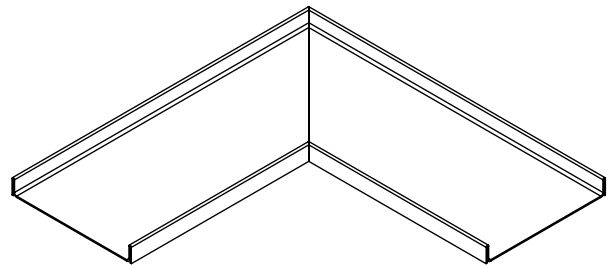
1. Cut drink rail Item #DR-SCU sections to length (if necessary).
2. Apply adhesive to the bar top or counter substrate.
3. Adhere the first section of the drink rail section to the surface.
4. Seal the top of any seams with a mildew resistant clear silicone sealer.

**CUSTOM FINISHING
AVAILABLE BY REQUEST**

OVERHEAD VIEW



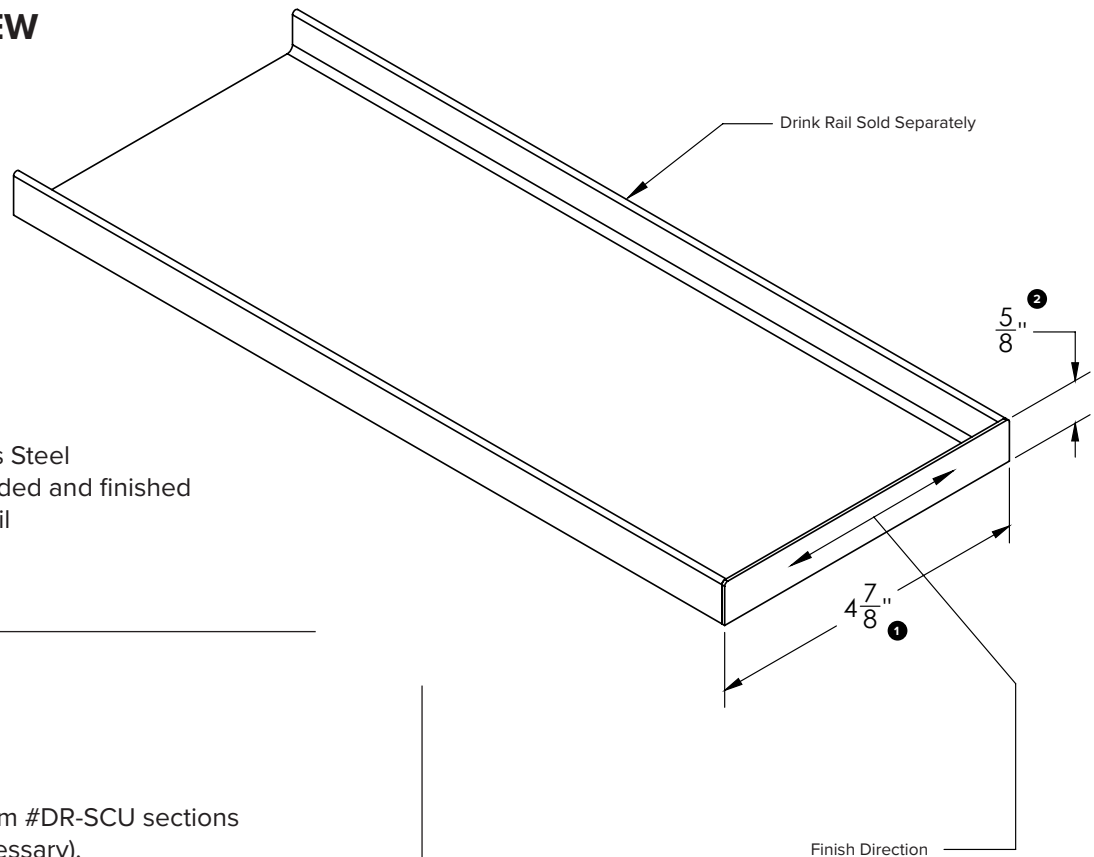
ISOMETRIC VIEW



DIMENSIONS

① LEFT BACK LENGTH	12"
② RIGHT BACK LENGTH	12"
③ INSIDE WIDTH	4 5/8"
④ OUTSIDE WIDTH	4 7/8"

ISOMETRIC VIEW



SPECIFICS

- #4 Satin finish
- 18GA #304 Stainless Steel
- End Cap is fully welded and finished to customer drink rail

INSTALLATION

1. Cut drink rail Item #DR-SCU sections to length (if necessary).
2. Apply adhesive to the bar top or counter substrate.
3. Adhere the first section of the drink rail section to the surface.
4. Seal the top of any seams with a mildew resistant clear silicone sealer.

DIMENSIONS

1 SIDE PANEL LENGTH	$4\frac{7}{8}$ "
2 SIDE PANEL HEIGHT	$\frac{5}{8}$ "

**CUSTOM FINISHING
AVAILABLE BY REQUEST**