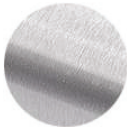




AVAILABLE FINISHES



BRUSHED
STAINLESS



MATTE
BLACK

CUSTOM POWDER COAT



OIL RUBBED
BRONZE



GUNMETAL
GREY



SUNSET
COPPER

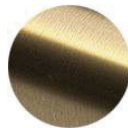
ELECTROPLATE FINISHES



BRUSHED
BRASS



POLISHED
STAINLESS



ANTIQUÉ
BRASS

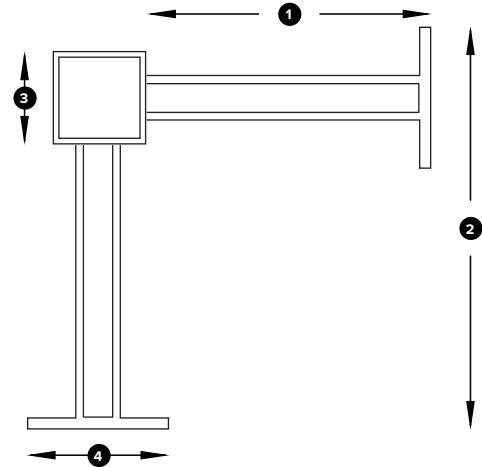


POLISHED
BRASS

Care and maintenance of bar foot rail varies by finish. Given the nature of the product, typical wear and tear may be noticed with your bar rail over time, such as scuffs, scratches, and dirt. Visit kegworks.com/bar-rail-care to read our guide on how to properly prep, clean & maintain all bar rail finishes.

**CUSTOM FINISHES
AVAILABLE BY REQUEST**

SIDE VIEW



DIMENSIONS

① LENGTH 1	5.15"
② LENGTH 2	6"
③ WIDTH 1	1.7"
④ WIDTH 2	2.5"

INSTALLATION

1. Measure & mark holes for mounting screws.
2. Attach brackets to the face of the bar and floor with the 8 mounting screws.
3. Secure tubing to bracket by fastening set screws through hole in the bottom of bracket.

INCLUDED HARDWARE

- 4 x #10 1-1/2" Mounting Screws
- 1 x #8 3/4" Self-Drilling Set Screw