

Straight Section

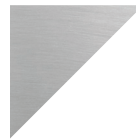
Rectangle Drink Rail

Complete and protect your bar with a professional run of stainless steel rectangle drink rail.



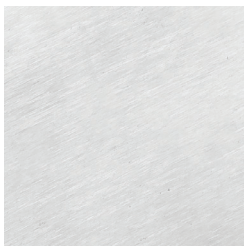
Made of 18-gauge
304 stainless steel.

Standard Finishes



Brushed
Stainless

Custom finishing is available upon request.



#4 satin finish.

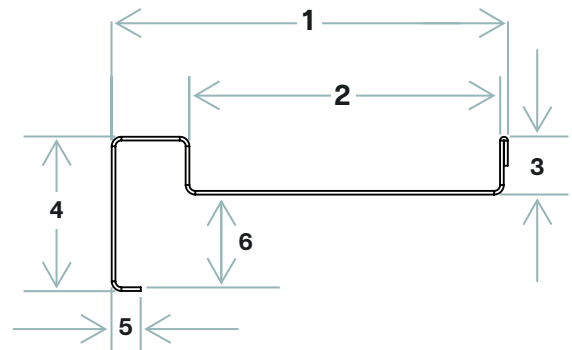
Dimensions

(1)	Outside Width	5.13"
(2)	Inside Width	4.00"
(3)	Back Height	0.75"
(4)	Face Height	2.00"
(5)	Lip Width	0.38"
(6)	Lip Height	1.19"
(7)	Length Options	72/92"

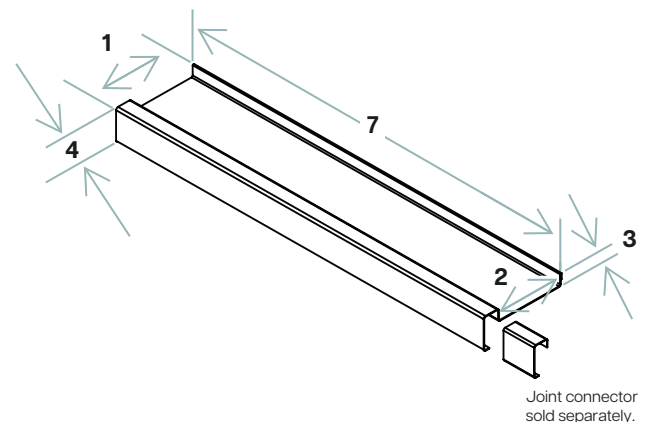
Installation

1. Cut drink rail Item #DR-REC sections to length (if necessary).
2. Apply adhesive to the bar top or counter substrate.
3. Adhere the first section of the drink rail section to the surface.
4. Insert joint connector Item #DR-REC-JC into the end of the secured section of the drink rail to connect additional sections or inside corner piece Item #DR-REC-IC.
5. Seal the top of any seams with a mildew resistant clear silicone sealer.
6. Apply adhesive and add End Cap Item #DR-REC-RC or DR-REC-LC as needed.

SIDE VIEW



ISOMETRIC VIEW



Complete The System

Make sure to get all the necessary components to complete your bar rail system.

- ▶ Straight
- ▶ Corner
- ▶ End Cap
- ▶ Drip Tray

Visit [Kegworks.com/care-guide](https://www.kegworks.com/care-guide) to read our guide on how to properly prep, clean, and maintain all bar rail finishes.